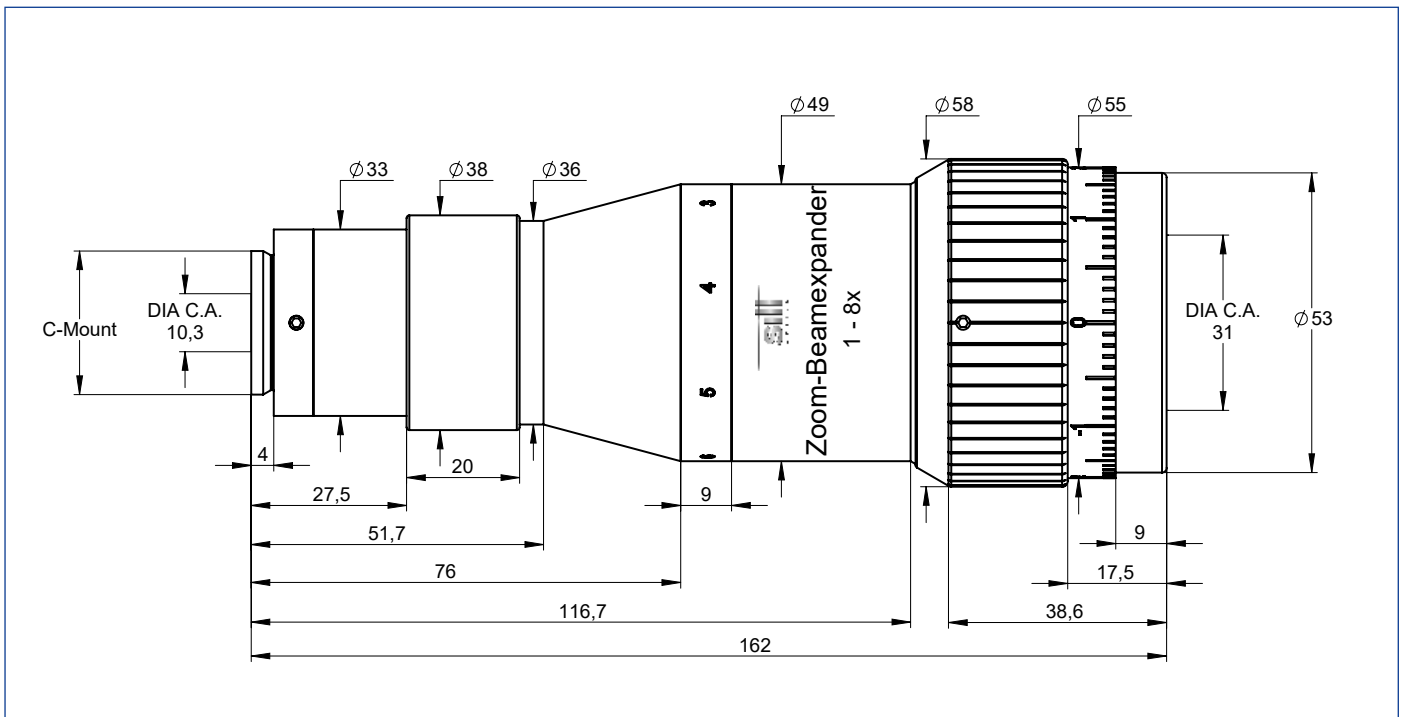


DATA SHEET



S6EXZ5075/199 Beamexpander

- magnification 1.0 - 8.0
- for 266 nm
- fused silica
- standard coating



outline drawing

DATA SHEET



specifications

article number	S6EXZ5075/199
design wavelength [nm]	266
magnification factor	1.0 - 8.0 continuous
divergence adjustable ¹⁾	✓
optical principle	Galilei (no internal focus)
mounting thread	C-mount
pointing stability [mrad]	< 1
clear input aperture [mm]	10.3
clear output aperture [mm]	31.0
max. input beam diameter [mm]	9.0 (1x) - 3.5 (8x)
total number of lenses	4
total transmission [%]	97
lens material	fused silica
LIDT (coating) [J/cm ²]	1.0 (1ns pulse at 50Hz)
no internal ghosts [✓/×]	✓
no internal ghosts, reversed usage	×
weight [kg]	0.60
accessory	S6MEC2530 - adapter C-mount to M30x1, adjustable mount S5SET0150 with adapter S6MEC5075

notes

1) Divergence is independent from magnification factor

Data given by design

Attention! The laser should not be operated while zooming!

LIDT = Laser Induced Damage Threshold, valid for the coating at design wavelength and gaussian intensity profil

Internal ghost in forward usage only for magnification > 7.5x